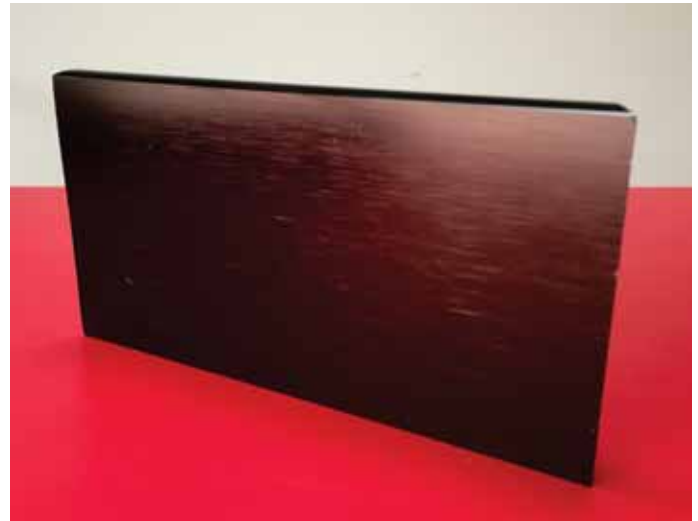
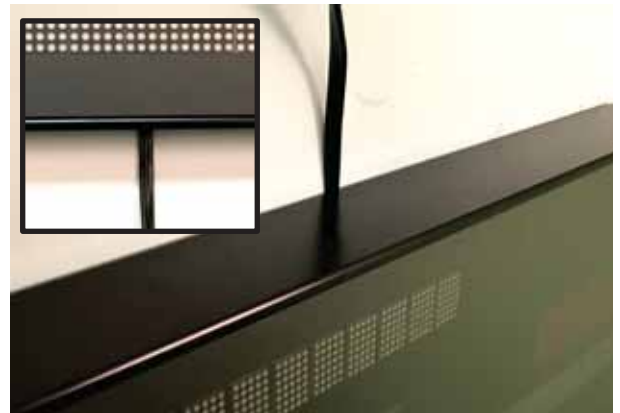


Introducing BRG's F5 Frame

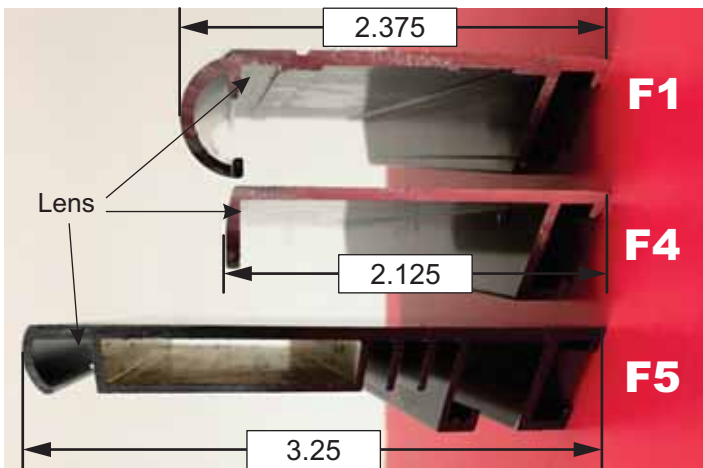


Features & Advantages:

- Black anodized brushed Aluminum finish
- 50% stronger than our discontinued F1 & F4 frame
- Replaces the discontinued F1 & F4 frame
- Fits flush against the wall
- EasyMount wall mounting brackets for quick, safe installation
- Extra depth behind clock for:
 - USB, Ethernet, electrical connections
 - Conduit connections
 - Electrical cord storage
- Eliminates the need for corner brackets that caused the older frames to not be flush with the wall.



Even with flush mounting, the clock's electrical cord can be plugged in above or below the clock.



As you can see in the photos on the left, the F5 Frame has an aluminum box built in the frame for added strength and durability. The extra depth allows for easy connections and a flush fit against the wall.

- BRG's Time Zone Clocks are Built in the USA.
- They are built to last.
- They are built strong.



600 N River St
Derby, KS 67037
800-295-0220
Or 1-316-788-2000
www.brgprecision.com